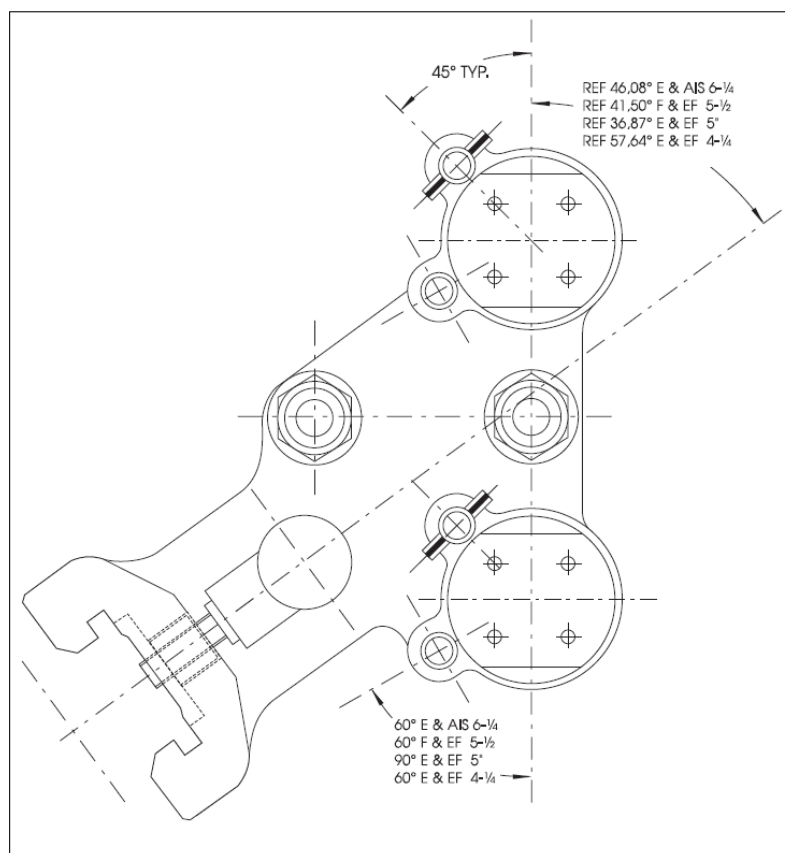


Technical News Bulletin

Steinhausen, June 1995



Quick-Change Blowhead Arms 200-202

- Standardization of mold equipment is met with the introduction of the 200 series quick-change blowhead arms.
- All blowhead arms - SG, DG & TG - have the blowhead lock pin located at 45° relative to the mold parting line in the standard configuration.
- The DG blowhead arms with the additional lock pin position are now available.

Introduction

Standardization of mold equipment is one of our design objectives for new IS Machine accessories. With the introduction of the 200 Series Quick-Change Blowhead Arms, this objective has been met through the use of the same lock ring for the full range of blowhead arms. All blowhead arms - SG, DG & TG - have the blowhead lock pin located at 45° relative to the mold parting line in the standard configuration.

Utilizing this standardization feature may require some alteration of existing blowheads. In cases where the blowheads are provided with vents to relieve the blowing pressure between the mold halves, these vents must be repositioned.

To permit the use of existing mold equipment without modification, all DG blowhead arms have now been provided with an additional lock pin mounting position (**Fig. 1**).

This additional position corresponds with the original angle between blowhead lock and mold parting line.

The blowhead arms are supplied with the lock pin assembled in the standard position at 45° relative to the mold parting line. The user can easily establish the alternative mounting position if it is required.

The DG blowhead arms with the additional lock pin position are now available. The part numbers as listed below remained unchanged.

Double Gob QC Blowhead Arms					
				Lock Position relative to Mold Parting Line	
Machine Type	Center distance	Threaded Attachment	Bayonet Attachment	Standard	Optional
E & EF 4 ¼	DG 4 1/4"	200-202 Gr. 12	200-202 Gr. 17	45°	60°
E & EF 5	DG 5"	200-202 Gr. 13	200-202 Gr. 18	45°	90°
F & EF 5 ½	DG 5 1/2"	200-202 Gr. 14	200-202 Gr. 19	45°	60°
F 6 1/4 & AIS	DG 6 1/4"	200-202 Gr. 15	200-202 Gr. 20	45°	60°

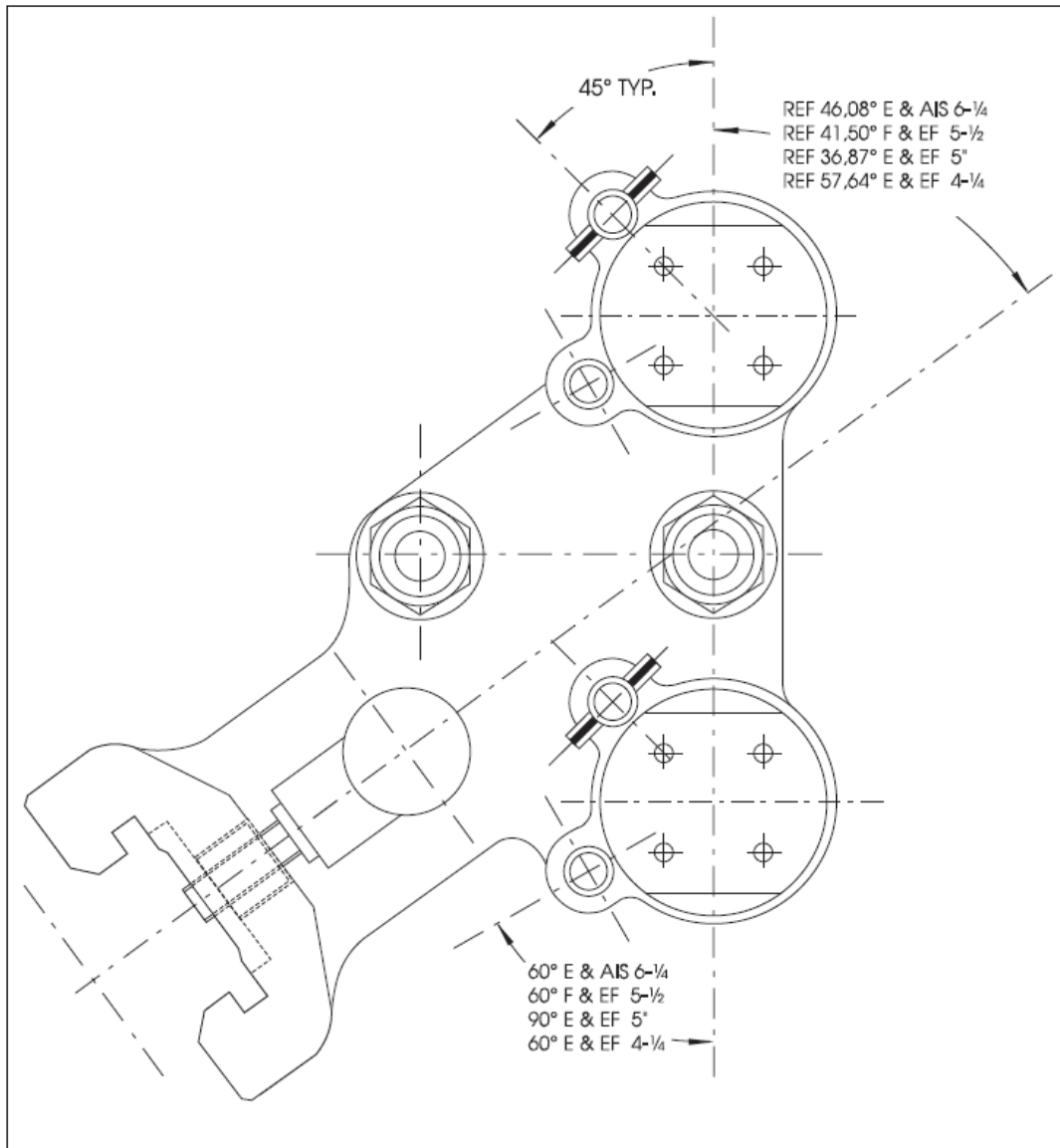


Fig.1: DG Q.C. Blowhead Arm 200-2