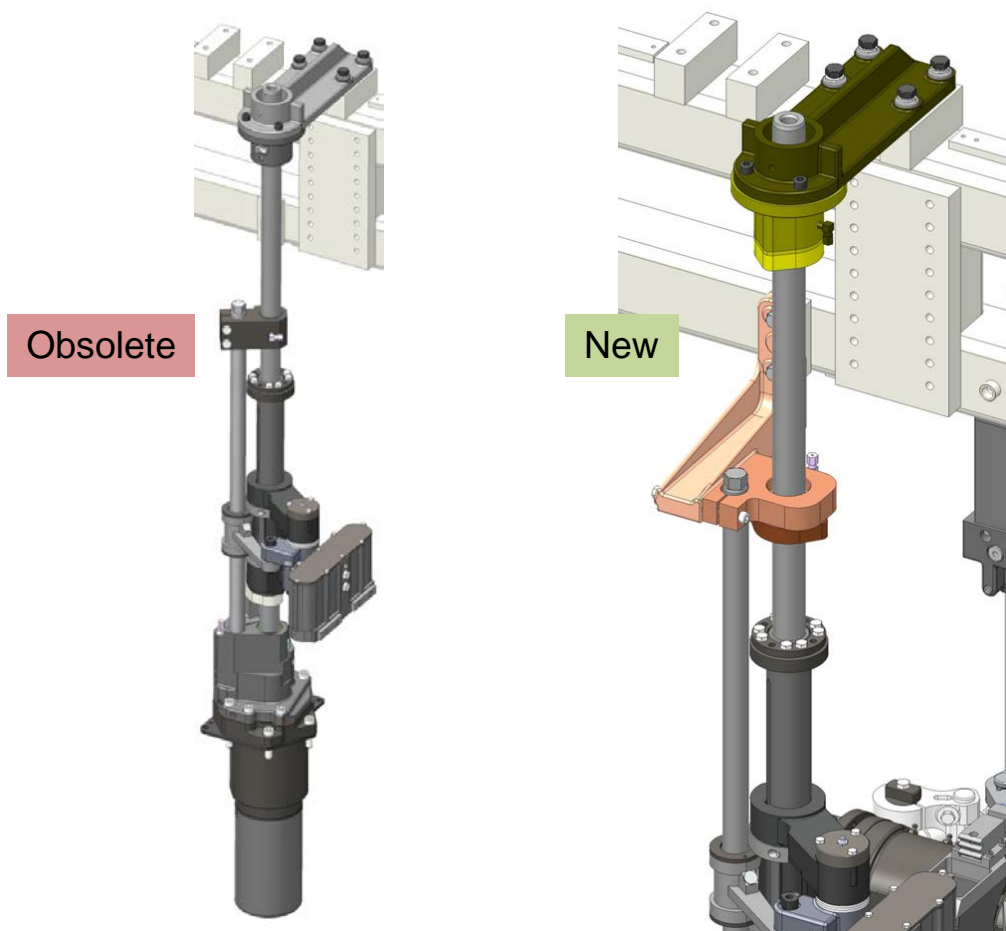


Technical News Bulletin

Steinhausen, September 2016

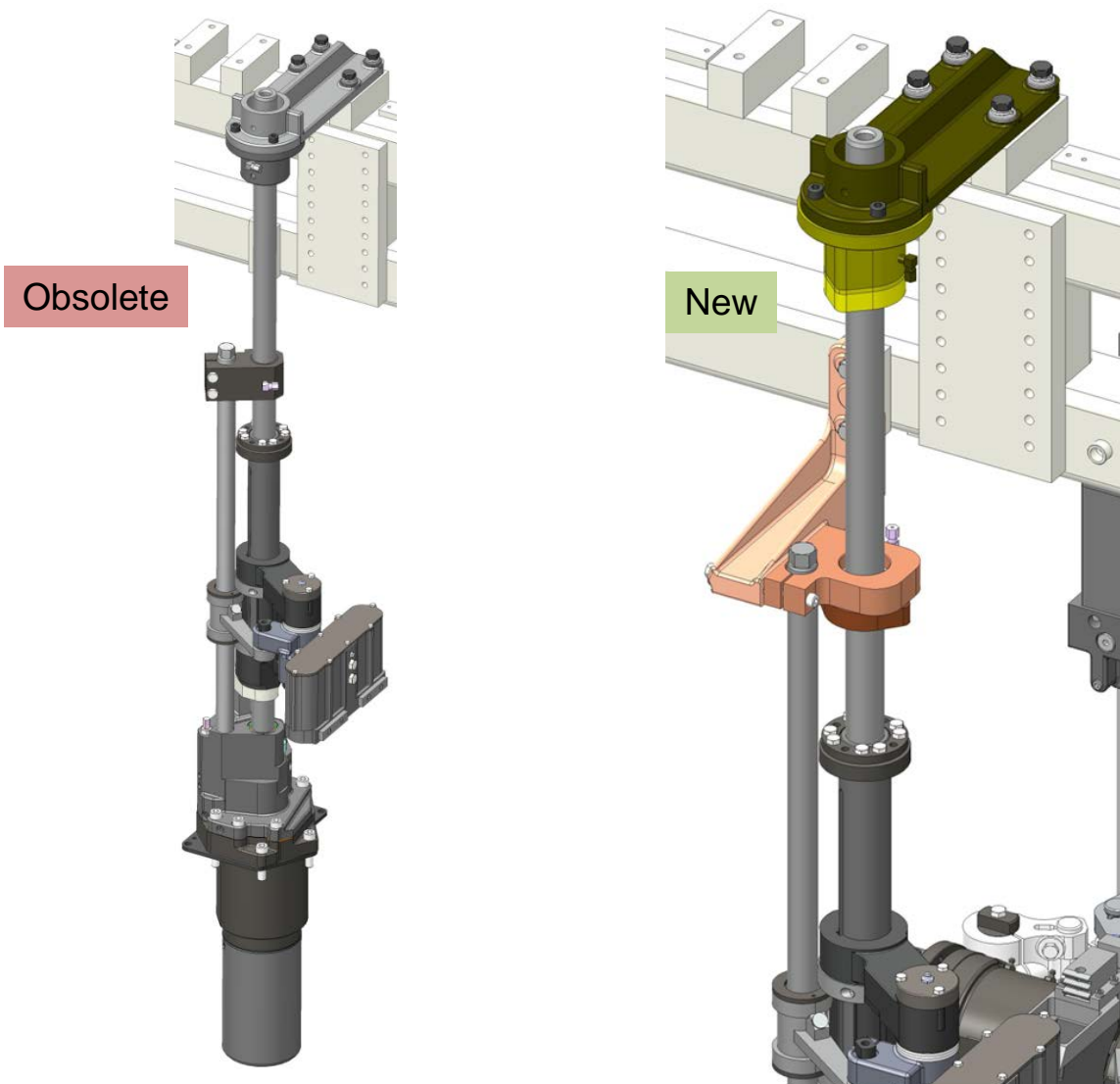


Precise rigid Baffle Pantograph 4 ¼ & 5” Support

- Improved alignment resulting in better baffle performance
- Extended equipment life time, less mold wear and maintenance
- Firm baffle piston rod to guide rod relation

Introduction

The new spherical outboard bearing for the 4 ¼ and 5" Baffle Pantograph is combined with an extra stiff bracing swivel to support the Pantograph guide rod precisely. A better performance and an extended equipment life time is the added value.



Specification

Required parts for Baffle Pantograph 4 ¼ & 5" field upgrade

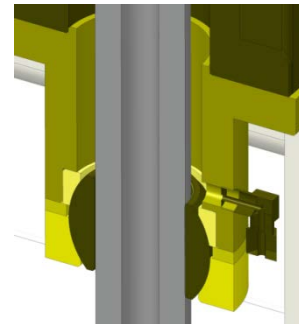
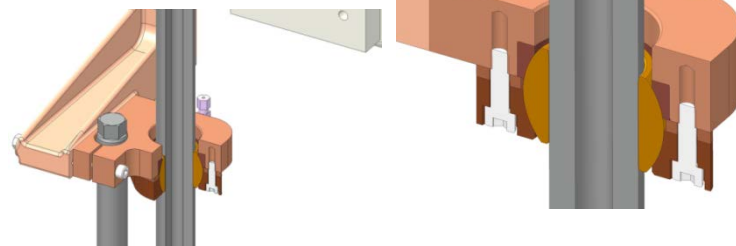


Spherical Outboard Bearing
Conversion Kit 200-2174-02
(add-on to existing outboard bearing)

1 plate 210-13322 per machine required
weld to manifold



Baffle Pantograph Support
200-2173-01



Availability / Application

It is the standard on all new machines with Baffle Pantograph 4 ¼ and 5". Field upgrades are possible by purchasing the required parts.

Installation Requirements

Field upgrade on Emhart machines are straight forward. One plate 210-13322 per machine needs to be welded to the manifold.

Features / Benefits *[Heading]*

Features	Benefits
Spherical outboard bearing	Improved alignment resulting in better Baffle performance
Rigid guide rod middle support	Extended equipment life time, less mold wear and maintenance
Firm Baffle piston rod to guide rod relation	Less Baffle pantograph maintenance – good blank baffle match

