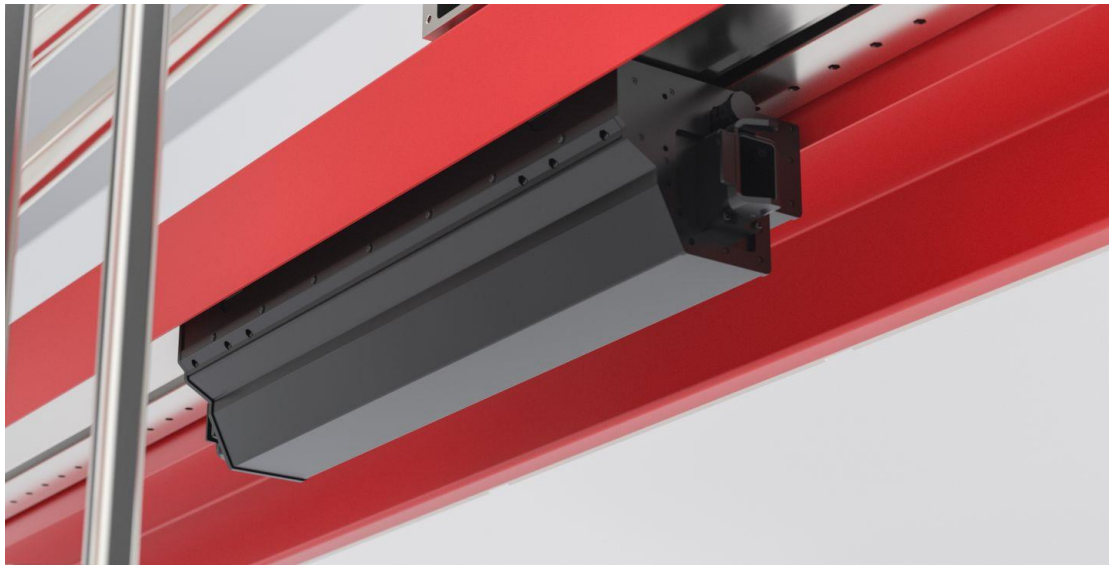


# BlankRadar temperature control glass exchange

Sweden, June 2021

---

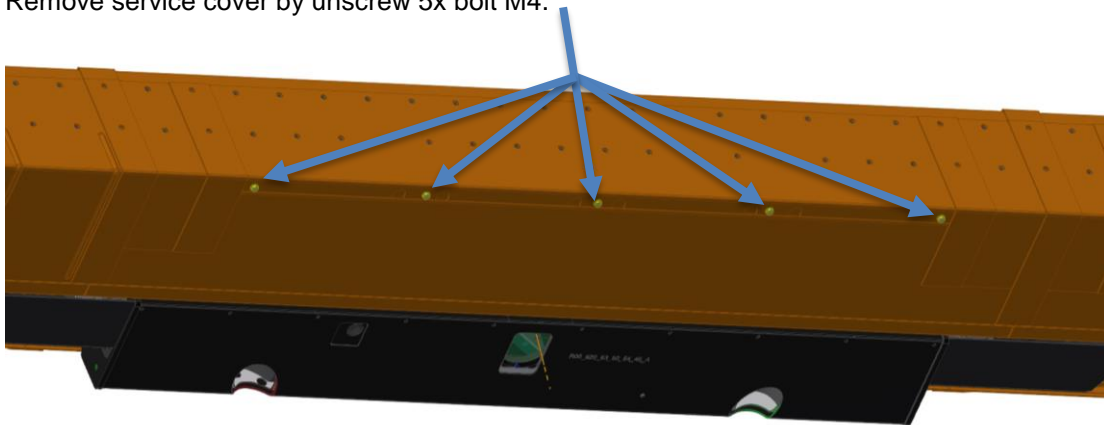


## Materials

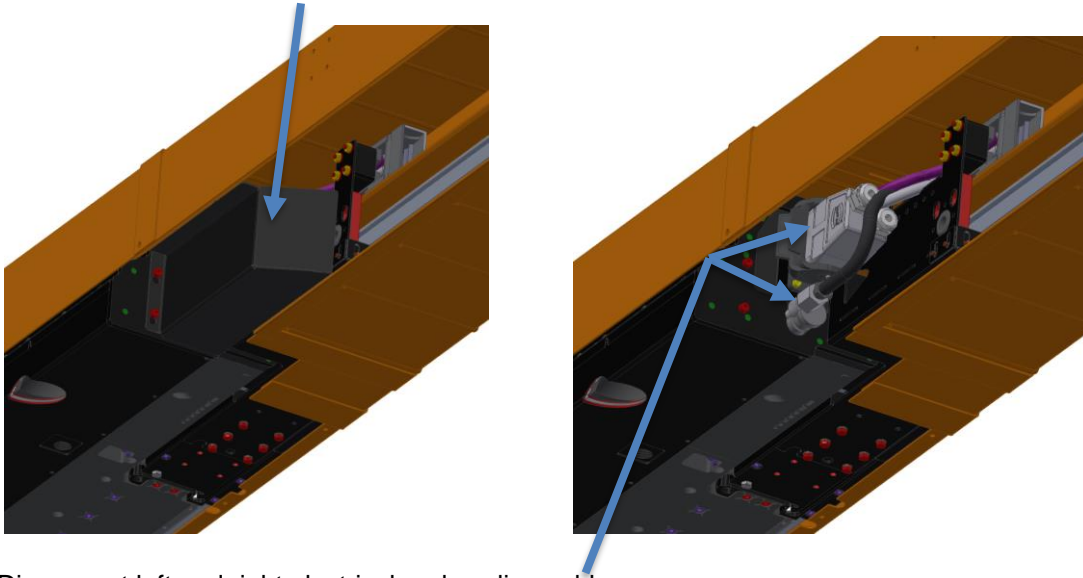
- 1x BlankRadar temperature control Window CaF2 63,5 x 3
- 1x Silicone O-ring 60,05 x 1,78
- 2x O-ring Cord Ø3 L=450mm

## Replacement method

1. Move camera module to service position and shut off power.
2. Remove service cover by unscrew 5x bolt M4.

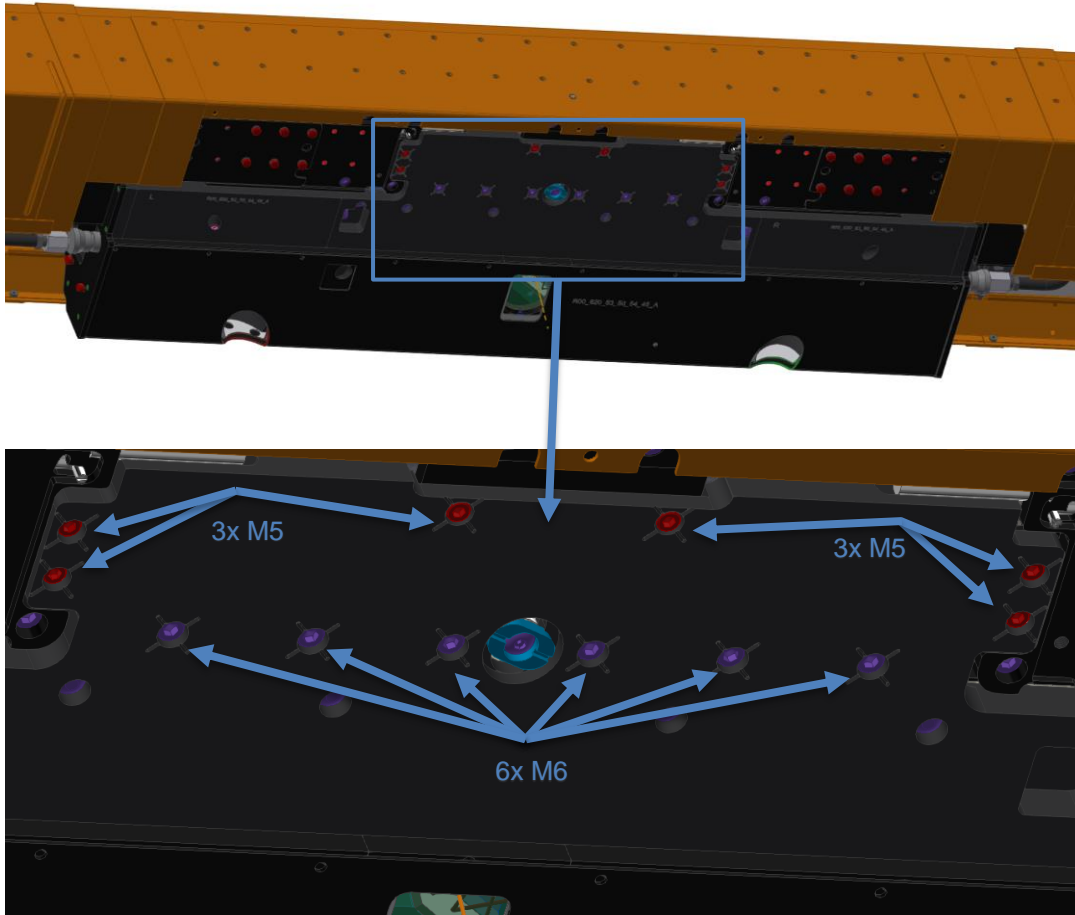


3. Remove left and right cable covers from module.



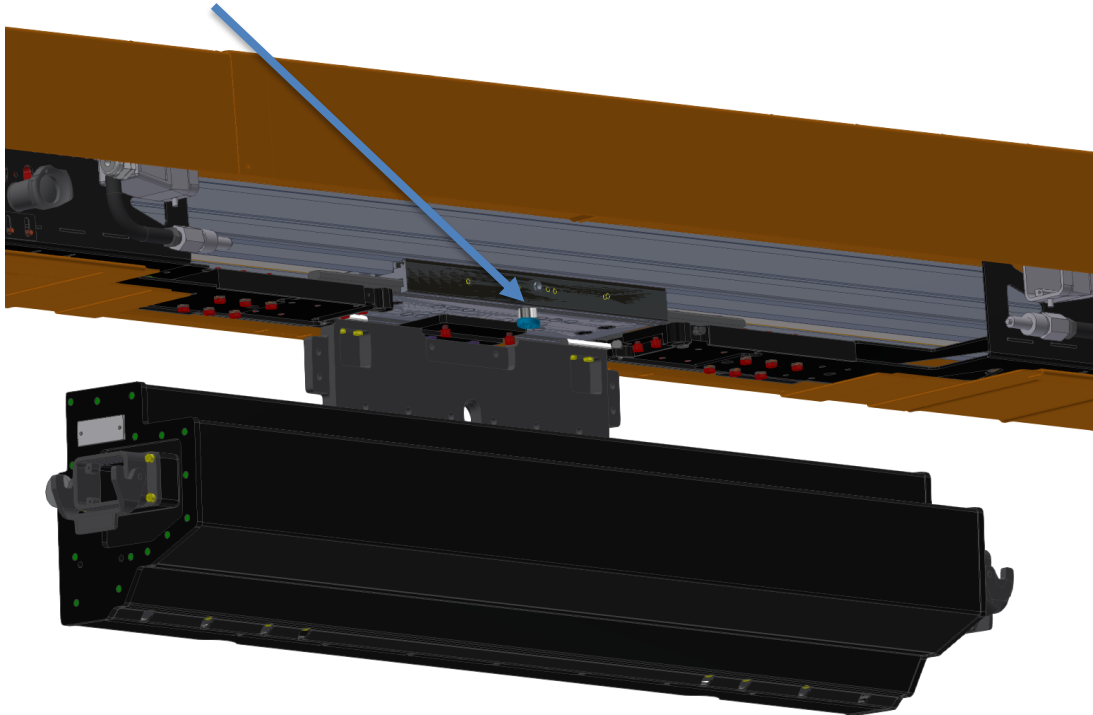
4. Disconnect left and right electrical and cooling cables.

5. Remove 6x M5 bolts and 6x M6 bolts that secure the module. See detail A.

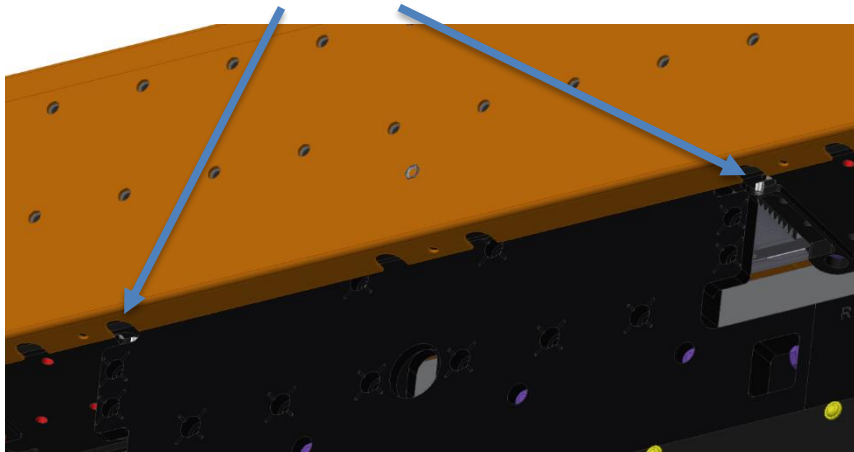


Detail A

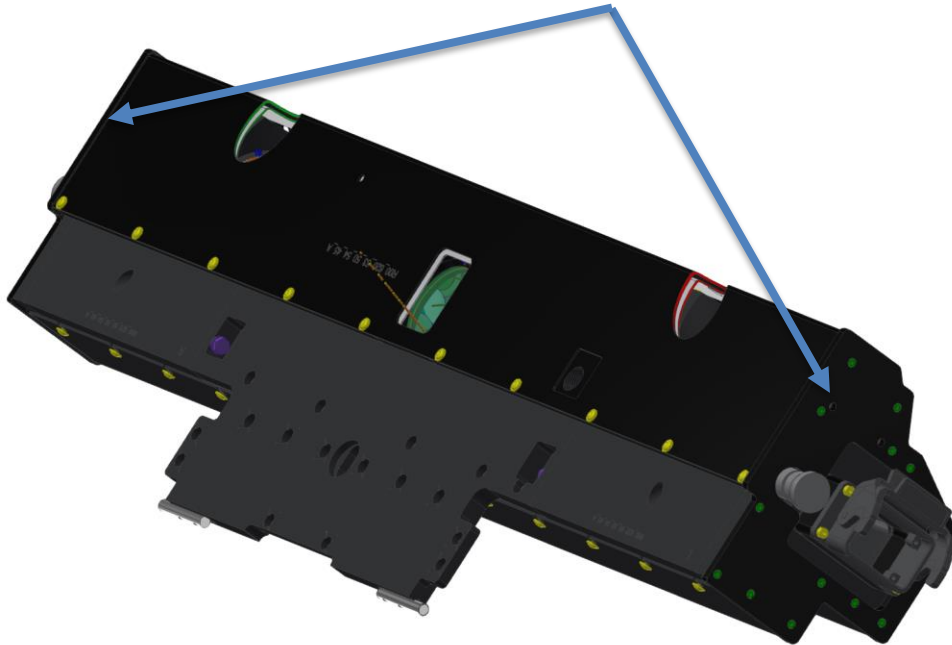
6. Turn the quick lock 90 degrees and lower the module carefully.



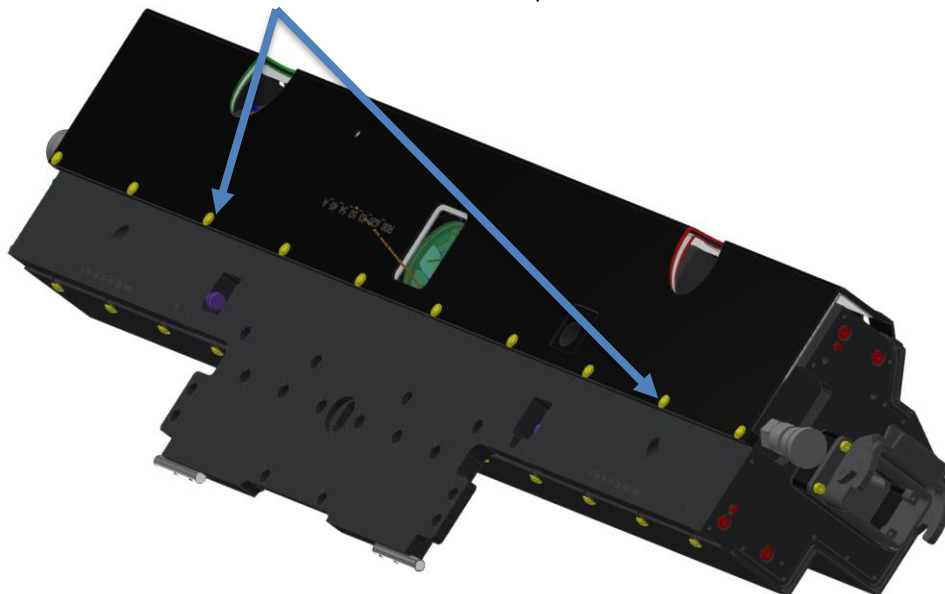
7. Move the safety pen (left and right) to the outside and remove the module from the guide.



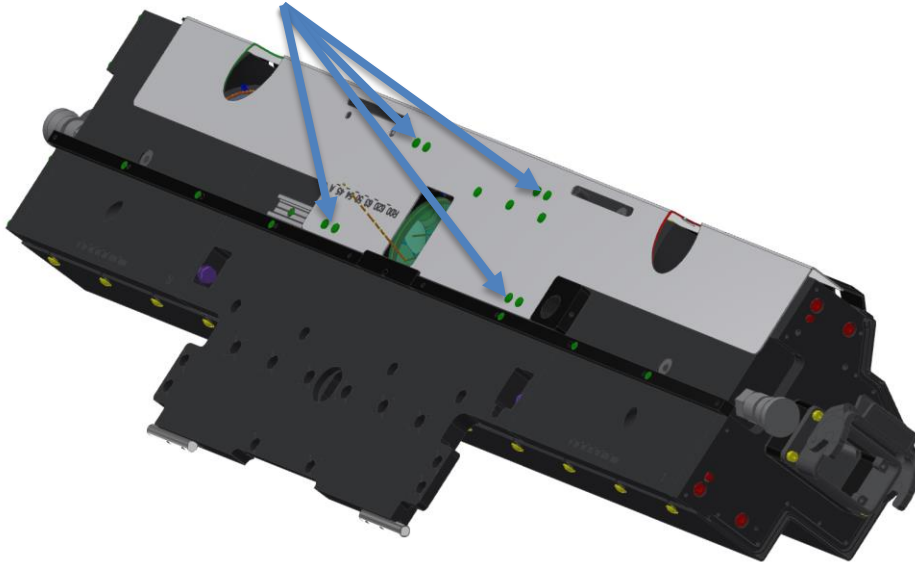
8. Unscrew the 15x M3 bolts (green) to disassemble both side plates.



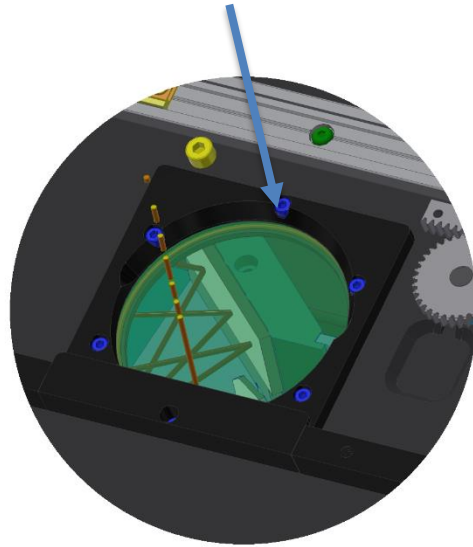
9. Unscrew the 10x M4 bolts and remove cover plate



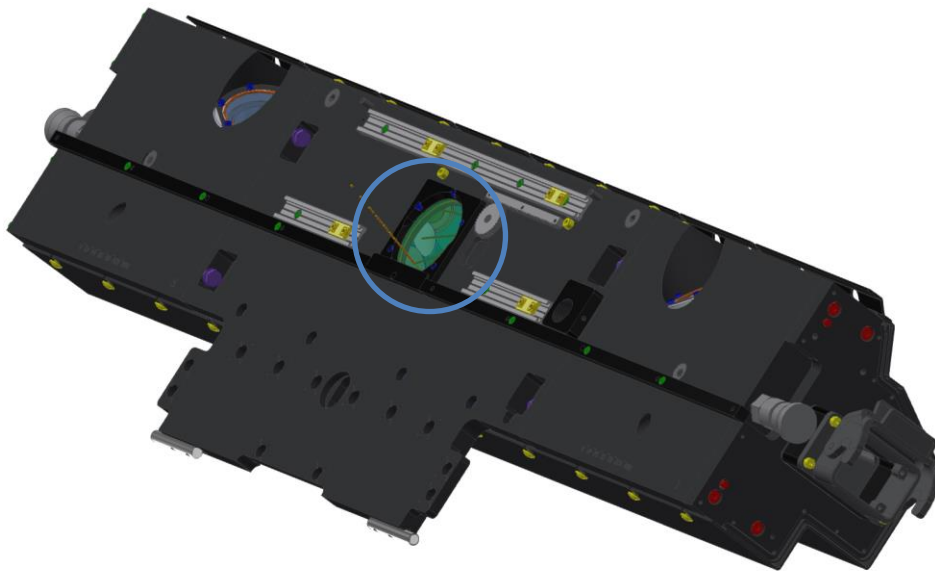
10. Unscrew the 4x2 M3 bolts and remove shutter plate



11. To replace the temperature control glass unscrew the 6x M2,5 bolts.

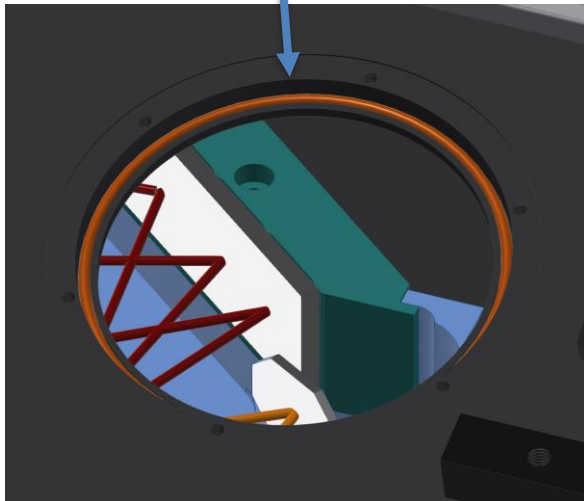


Detail B

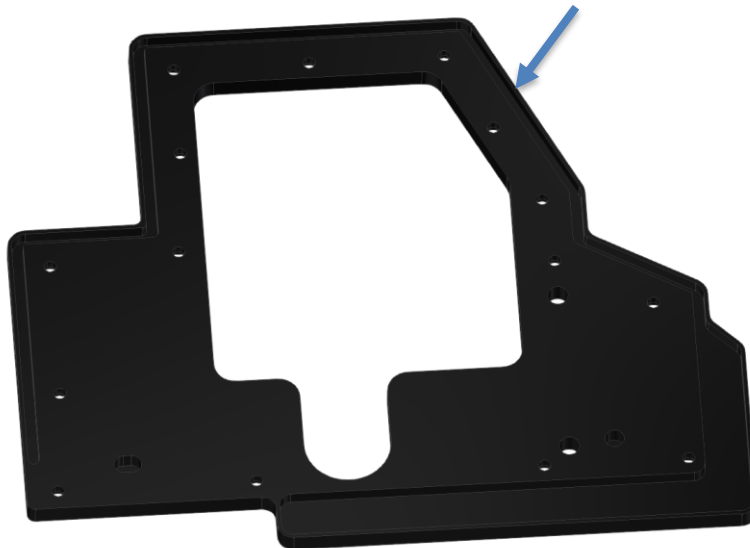




12. Always replace the o-ring when replacing the temperature control glass. Don't touch internal components!



13. After placing the new temperature control glass, reattach the shutter plate and cover plate.  
14. When place both side plates replace the o-ring cord  $\text{Ø}3$  L=450mm from this part.



15. Bring the module back in place and lock with safety pen (left and right) and secure with the quick lock. After that tighten the 6x M5 bolts and 6x M6 bolts.  
16. Connect the cool and electricity cable and place the left and right protection covers.  
17. Place service cover and screw the 5 bolts.  
18. Turn on the camera module.