

CS4 High Speed Container Separator



CS4 High Speed Container Separator

The CS4 (Container Separator) is designed to space round and non-round containers before entering an inspection machine. The servo-driven CS4 can be used stand-alone or integrated with FlexInspect machines. The CS4 operates at speeds up to 1 meter per second.

Features

- Left or right hand operation
- Tracks the conveyor for precise container spacing on variable speed lines “encoder based”
- Four belts synchronized with the conveyor for improved container stability at high speeds
- Fits within 1000mm (39.3”) gap in conveyor

Ware Range

- Height: 40mm - 440mm (1.5” - 17.3”)
- Body Diameter: 15mm - 160mm (0.5” - 6.2”)

Specifications

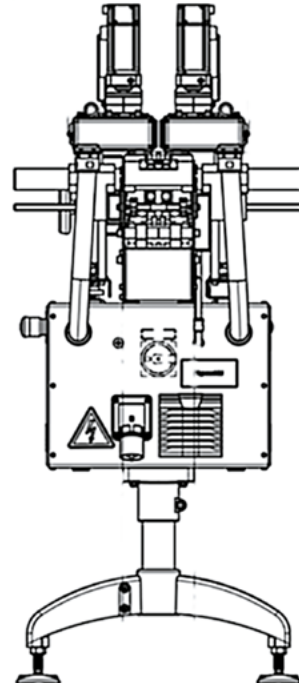
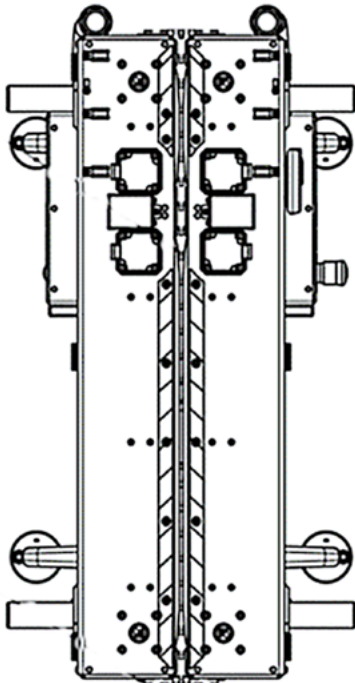
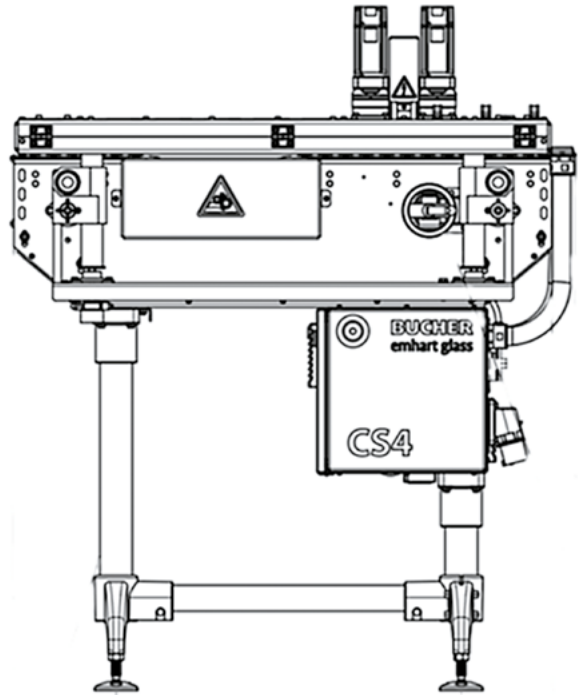
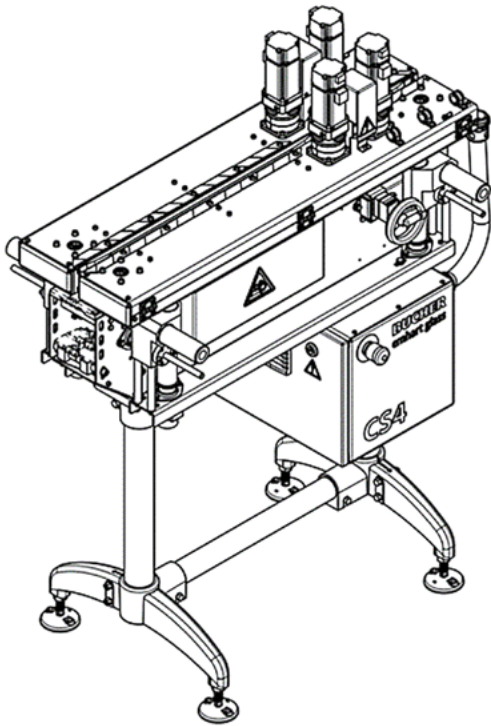
- Speed 1m/s max. (39.3”/s) maximum
- Separator dimensions L 1000mm (39.3”) x W 540mm (21.2”)
- Conveyor chain and sprocket requirements available on request
- IP 50 protection

Power Requirements

- 230VAC single phase 50/60hz Standard - *optional voltages available on request*
- Amps 16

Environmental

- Temperature 5C - Max. 50 °C (41 - 122°F)
- Relative humidity Max. 95% relative humidity



Conveyor shown for reference only

www.bucheremhartglass.com

Bucher Emhart Glass
Hinterbergstrasse 22
CH-6312 Steinhausen

Telephone: +41 41 749 42 00
Fax: +41 41 749 42 71
webmaster@bucheremhartglass.com
www.bucheremhartglass.com