

[www.bucheremhartglass.com](http://www.bucheremhartglass.com)

---

**Bucher Emhart Glass**  
Hinterbergstrasse 22  
CH-6312 Steinhausen

Telephone: +41 41 749 42 00  
Fax: +41 41 749 42 71  
[webmaster@bucheremhartglass.com](mailto:webmaster@bucheremhartglass.com)  
[www.bucheremhartglass.com](http://www.bucheremhartglass.com)

# DIM Dimensional Inspection Module

---



## DIM Dimensional Inspection Module

The DIM (Dimensional Inspection Module) accurately measures containers without contact as an integrated option on FleXinspect machines. Telecentric optics with two high-resolution cameras provide undistorted views of each passing container while measuring diameters, height, lean, and bent necks. The DIM measures round and non-round containers at speeds up to 1 meter per second.

## Features

- Two high resolution cameras with telecentric optics
- Two dedicated light sources
- Fits within 630mm (24.8") of linear conveyor length

## Measurements

- Body diameters
- Container height
- Lean
- Bent neck
- Profile

## Ware Range

- Height: 40mm - 440mm (1.5" - 17.3")
- Body Diameter: 15mm - 160 mm (0.5" - 6.2")

## Specifications

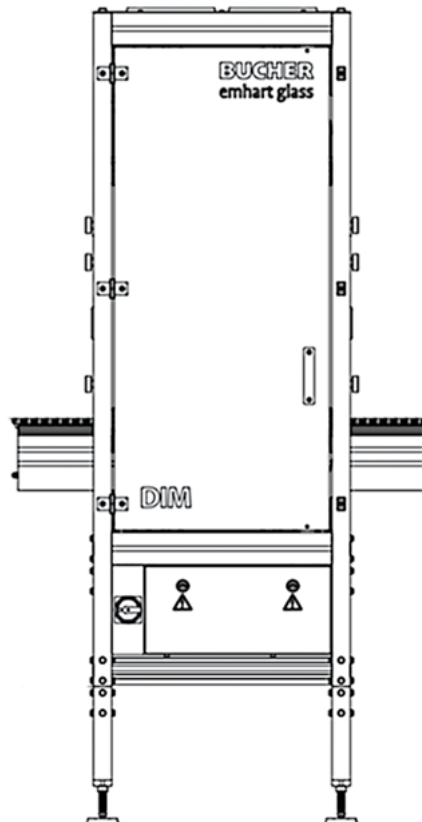
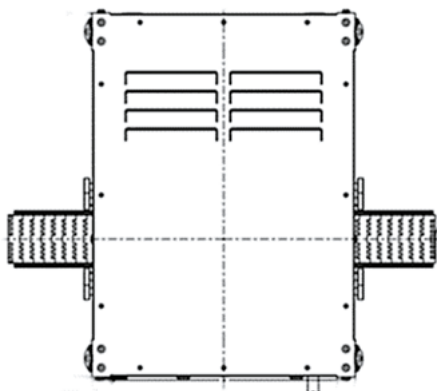
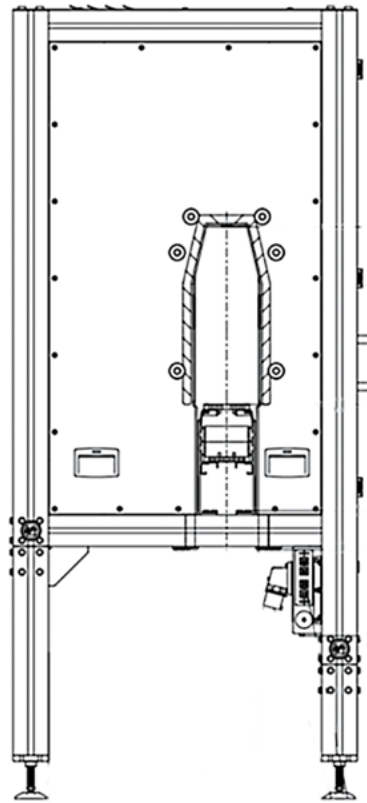
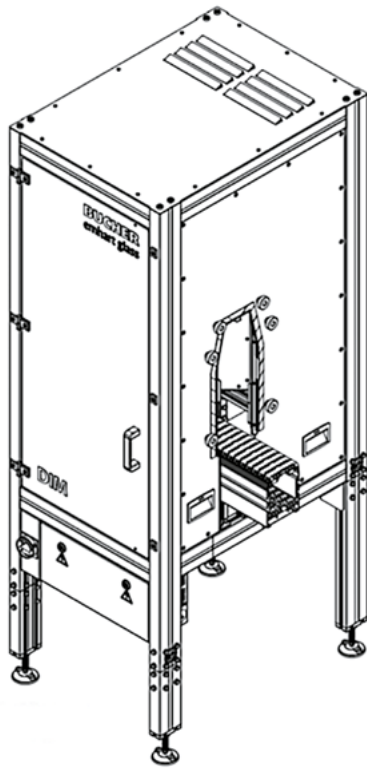
- Speed 1m/s (39.3"/s) maximum
- Dimensions L 630mm (24.8") x W 870mm (34.2") x H 2002mm (78.8")
- IP 50 protection

## Power Requirements

- 230VAC single phase 50/60hz Standard - *optional voltages available on request*
- Amps 16

## Environmental

- Temperature 5C - Max. 50 °C (41 - 122°F)
- Relative humidity Max. 95% relative humidity



Conveyor shown for reference only